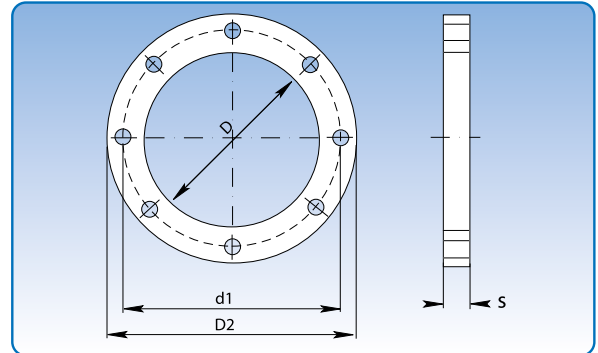
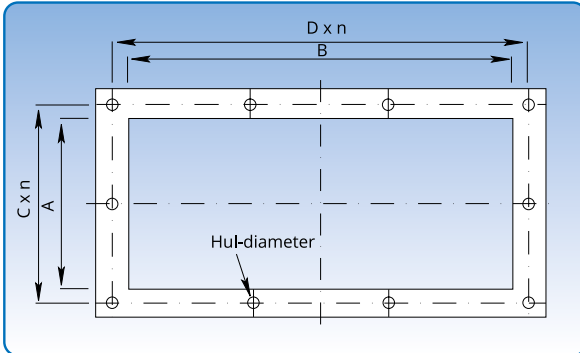


Square flanges type A and round flanges



Square flange type A and round flanges.
Dimensional specifications are given in the table below.

| Square flanges | Dimensions | | | | | | |
|------------------|------------|------|---------|----------|----------|------------------|-------------|
| | Fan type | A mm | B mm | C x n mm | D x n mm | Hole diameter mm | Material mm |
| JK-20D | 140 | 140 | 85 x 2 | 85 x 2 | 11 | 30 x 6 | 1,04 |
| T-200K/JK-22D | 166 | 166 | 98 x 2 | 98 x 2 | 11 | 30 x 6 | 1,20 |
| JK-25D | 186 | 186 | 108 x 2 | 108 x 2 | 11 | 30 x 6 | 1,32 |
| JK-30D/JK-30K | 206 | 206 | 118 x 2 | 118 x 2 | 11 | 30 x 6 | 1,44 |
| JK-35D | 226 | 226 | 128 x 2 | 128 x 2 | 11 | 30 x 6 | 1,69 |
| JK-40D/JK-40K | 251 | 251 | 94 x 3 | 94 x 3 | 11 | 30 x 6 | 1,69 |
| JK-30MTD/JK-30MT | 251 | 251 | 94 x 3 | 94 x 3 | 11 | 30 x 6 | 1,71 |
| T-300K | 326 | 226 | 85 x 3 | 119 x 3 | 11 | 30 x 6 | 1,71 |
| JK-45K | 339 | 339 | 123 x 3 | 123 x 3 | 11 | 30 x 6 | 1,22 |
| JK-40MTD/JK-40MT | 350 | 350 | 95 x 4 | 95 x 4 | 11 | 30 x 6 | 2,14 |
| JK-55K | 418 | 418 | 112 x 4 | 112 x 4 | 11 | 30 x 6 | 2,74 |
| JK-50MTD/JK-50MT | 455 | 455 | 124 x 4 | 124 x 4 | 12 | 40 x 6 | 3,70 |
| JK-60MTD/JK-60MT | 505 | 505 | 109 x 5 | 109 x 5 | 12 | 40 x 6 | 4,00 |
| JK-75K | 555 | 704 | 119 x 5 | 124 x 6 | 12 | 40 x 6 | 5,14 |
| JK-70MTD/JK-70MT | 605 | 605 | 129 x 5 | 129 x 5 | 12 | 40 x 6 | 4,80 |
| JK-80MTD/JK-80MT | 705 | 705 | 149 x 5 | 149 x 5 | 12 | 40 x 6 | 5,58 |
| JK-90MTD/JK-90MT | 805 | 805 | 141 x 6 | 141 x 6 | 12 | 40 x 6 | 6,33 |
| JK-100MT | 905 | 905 | 135 x 7 | 135 x 7 | 12 | 40 x 6 | 7,10 |

| Round flanges | Diameter nominal mm | D mm | d1 mm | D2 mm | s mm | Hole diameter mm | No. of huller |
|----------------------------|---------------------|------|-------|-------|------|------------------|---------------|
| *Special flanges | | | | | | | |
| Fan type | | | | | | | |
| *JK-30MT /MTD | 300 | 299 | 336 | 355 | 2,5 | 9 | 12 |
| JK-30MTDP, JK-30D/K, T-300 | 300 | 305 | 336 | 355 | 5 | 10 | 12 |
| *JK-40MT /MTD | 400 | 398 | 439 | 465 | 2,5 | 12 | 16 |
| JK-40MTDP, JK-40D/K | 400 | 405 | 439 | 465 | 6 | 12 | 16 |
| *JK-50MT /MTD | 500 | 500 | 540 | 565 | 2 | 11 | 16 |
| JK-50MTDP | 500 | 505 | 540 | 565 | 6 | 12 | 16 |
| JK-55MTD, JK-55K | 550 | 555 | 590 | 615 | 6 | 12 | 16 |
| *JK-60MT | 600 | 600 | 640 | 665 | 3 | 11 | 16 |
| JK-60MTD /MTDP | 600 | 605 | 640 | 665 | 6 | 12 | 16 |
| *JK-70MT | 700 | 700 | 750 | 785 | 3 | 11 | 24 |
| JK-70MTD /MTDP | 700 | 705 | 750 | 785 | 6 | 12 | 24 |
| *JK-80MT | 800 | 800 | 850 | 885 | 3 | 11 | 24 |
| JK-80MTD /MTDP | 800 | 805 | 850 | 885 | 6 | 12 | 24 |
| *JK-90MT | 900 | 900 | 950 | 985 | 3 | 11 | 24 |
| JK-90MTD /MTDP | 900 | 905 | 950 | 985 | 6 | 12 | 24 |
| *JK-100MT | 1000 | 1000 | 1050 | 1085 | 3 | 11 | 24 |
| JK-20D/T-200 | 200 | 205 | 235 | 255 | 5 | 10 | 12 |
| JK-22D | 225 | 230 | 260 | 280 | 5 | 10 | 12 |
| JK-25D | 250 | 255 | 285 | 305 | 5 | 10 | 12 |
| JK-35D | 350 | 355 | 389 | 415 | 5 | 12 | 12 |
| JK-45K | 450 | 455 | 489 | 515 | 6 | 12 | 16 |
| JK-75K | 750 | 755 | 800 | 835 | 6 | 12 | 24 |